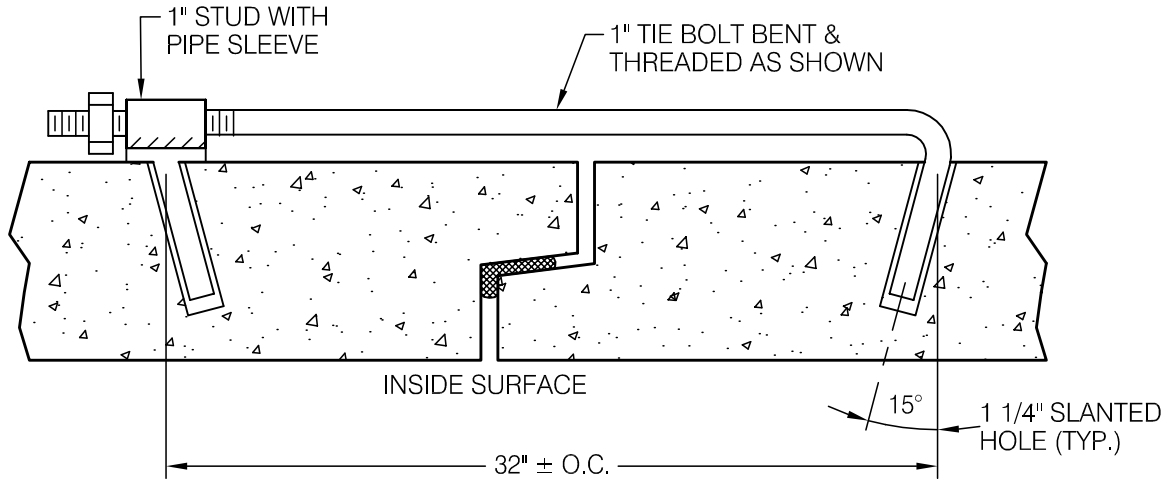
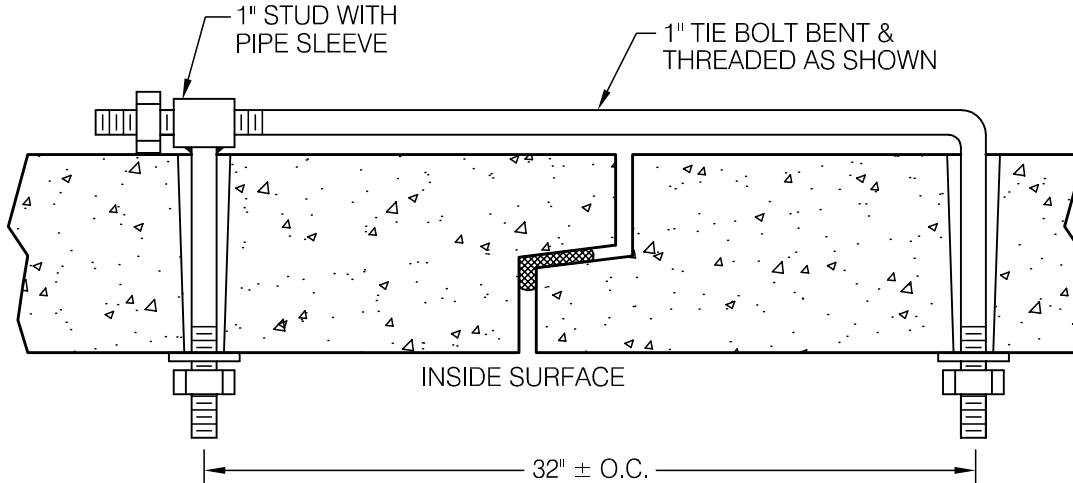


# BOX CULVERT TIE BOLT APPLICATIONS



**CONCEALED HOLE DESIGN**



**THROUGH HOLE DESIGN**

Copyright © 1999 The Cretex Companies, Inc.  
All rights reserved. Information on this document is  
subject to change without notice.



**IOWA CONCRETE PRODUCTS CO.**

WEST DES MOINES, IOWA

**BOX CULVERT  
TIE BOLT APPLICATIONS**

SCALE 1 1/2" = 1'-0" DATE JAN. 1, 1999 DWG. NO. ICPBCTBAE