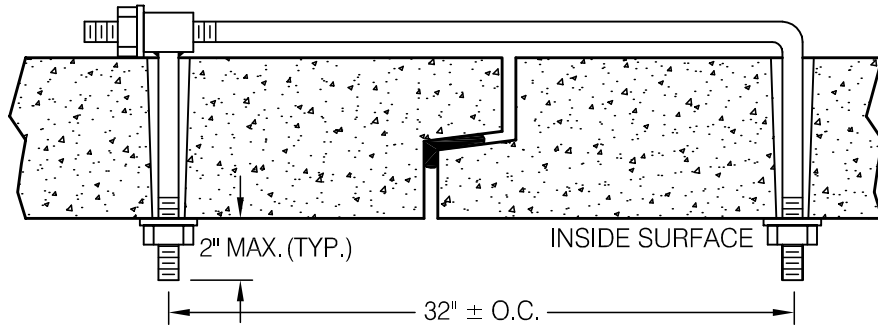
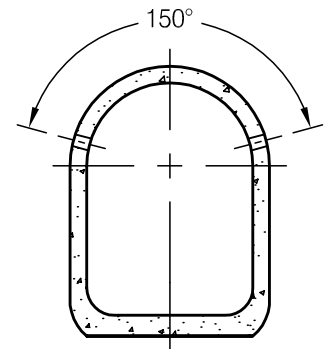


CONCRETE UNDERPASS AND TUNNEL JOINT TIES



EYE BOLT TIE



TYPICAL APPLICATION

Copyright © 1999 The Cretex Companies, Inc.
All rights reserved. Information on this document is
subject to change without notice.



IOWA CONCRETE PRODUCTS CO.

WEST DES MOINES, IOWA

**CONCRETE UNDERPASS AND TUNNEL
JOINT TIES**

SCALE NOT TO SCALE DATE JAN. 1, 1999 DWG. NO. ICPCUNDTBOLT