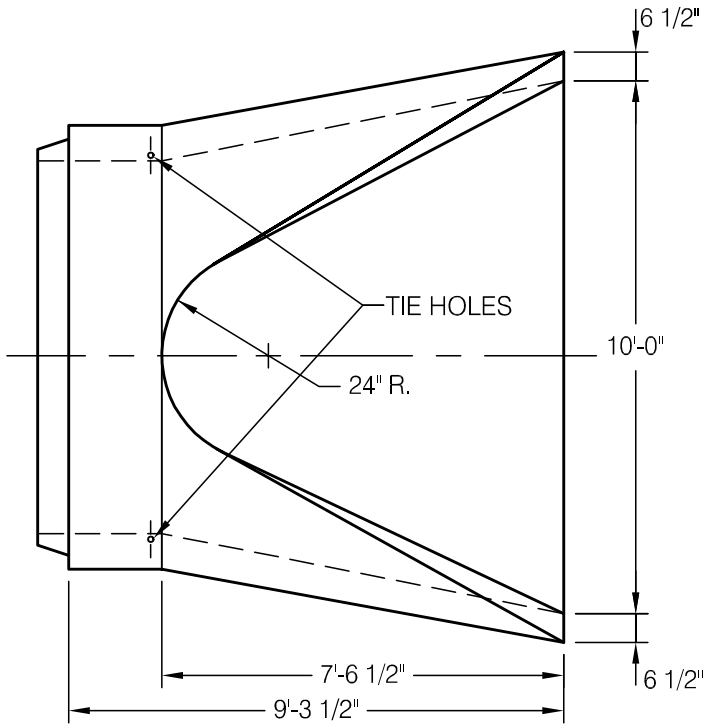


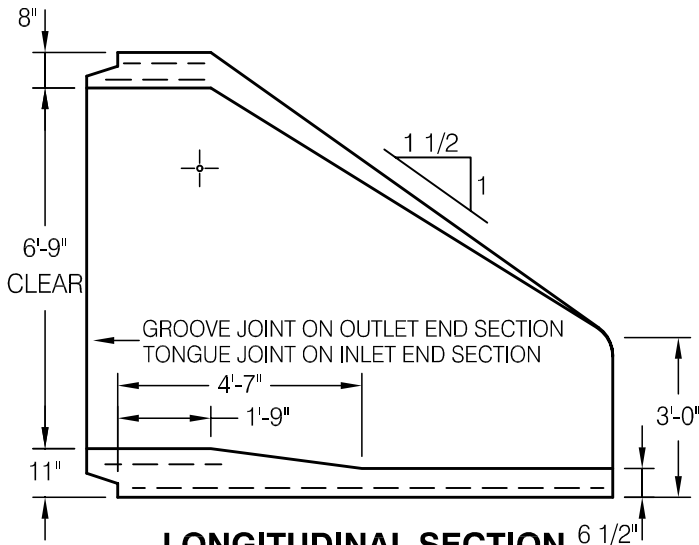
84" FLAT BOTTOM FLARED END SECTIONS



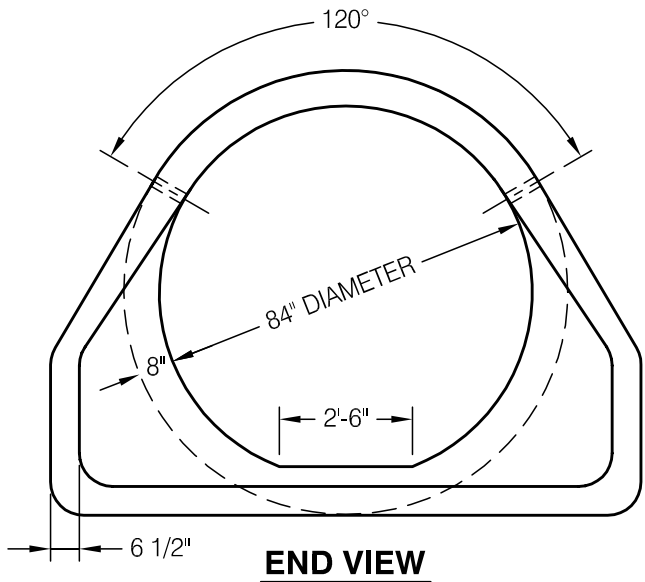
PLAN VIEW

Tie Bolt holes are provided for the installation of tie bolts between the flared end section and the adjacent pipe.

Section Weight = 18160 lbs.



LONGITUDINAL SECTION



END VIEW

End section is manufactured in accordance with applicable portions of ASTM Specifications C76.

Copyright © 1999 The Cretex Companies, Inc.
All rights reserved. Information on this document is subject to change without notice.



IOWA CONCRETE PRODUCTS CO.

WEST DES MOINES, IOWA

84" FLAT BOTTOM
FLARED END SECTIONS

SCALE NOT TO SCALE DATE JAN. 1, 1999 DWG. NO. ICPCUNDFLARE2