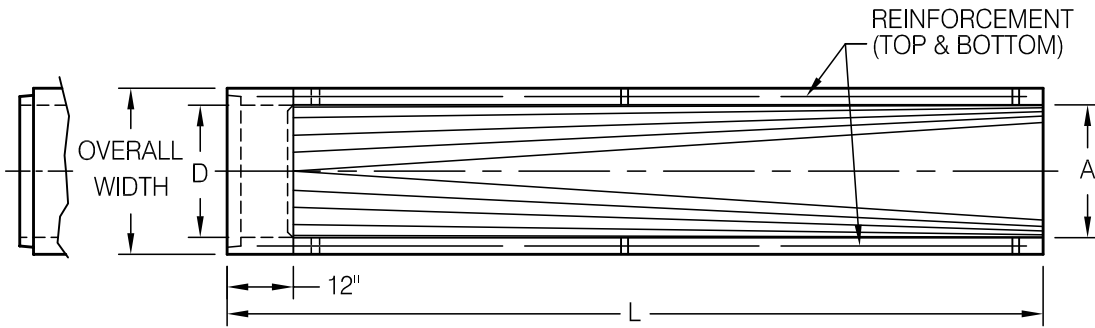
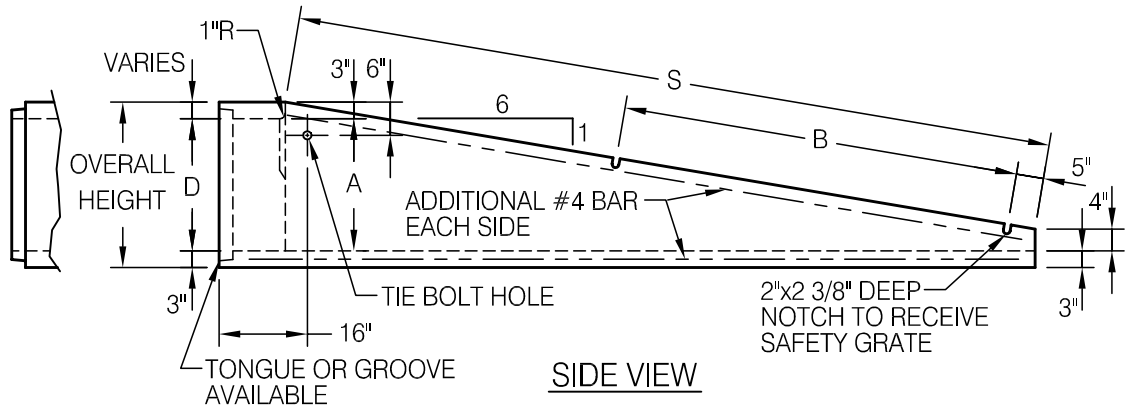


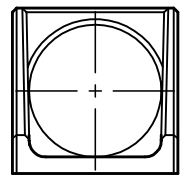
PRECAST CONCRETE SAFETY APRONS w/6:1 SLOPE



TOP VIEW



SIDE VIEW



END VIEW

APRON SIZE	D DIA.	A INSIDE	B	L APRON LENGTH	S SLOPE LENGTH	OVERALL HEIGHT	OVERALL WIDTH	WEIGHT LBS.
12"	12"	12"	2'-6"	6'-6"	5'-6 15/16"	18"	18"	900
15"	15"	18"	4'-0"	9'-4 1/2"	8'-5 15/16"	24"	24"	1800
18"	18"	18"	4'-0"	9'-4 1/2"	8'-5 15/16"	24"	24"	1700
24"	24"	24"	6'-0"	12'-4"	11'-5 15/16"	30"	30"	2800

Notes:
 Reinforcing steel and concrete per AASHTO M170.
 Reinforcement shall conform to standard reinforced concrete pipe class II, located at center of wall, plus one (1) #4 bar, top and bottom, each side.
 Top exposed concrete corners shall have a 3/4" chamfer. 1" radius at throat of barrel.

Copyright © 1999 The Cretex Companies, Inc.
 All rights reserved. Information on this document is subject to change without notice.



IOWA CONCRETE PRODUCTS CO.	
WEST DES MOINES, IOWA	
PRECAST CONCRETE SAFETY APRONS w/6:1 SLOPE	
SCALE NOT TO SCALE	DATE JAN. 1, 1999
DWG. NO. ICPCRCPSAPRON6	