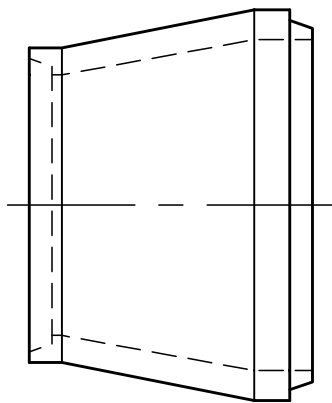
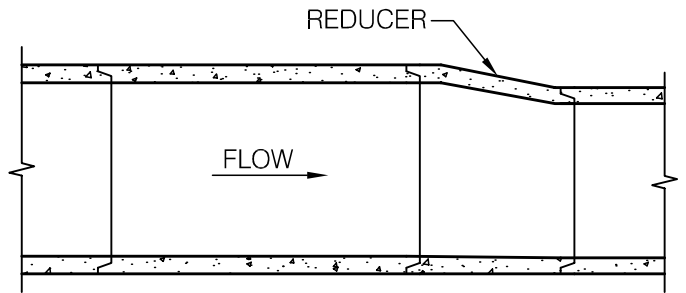
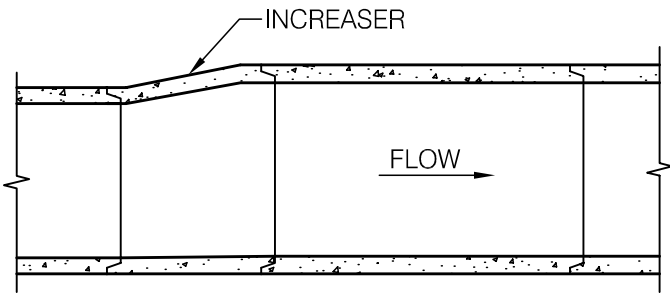
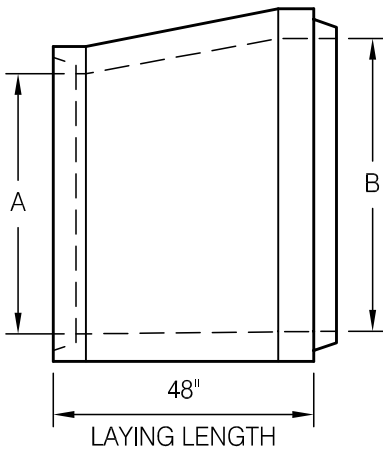


# REINFORCED CONCRETE PIPE INCREASER/REDUCER DESIGN DATA



**PLAN VIEW**



**ELEVATION VIEW**

| DIAMETER |
|----------|
| A TO B   |
| INCHES   |
| 18 TO 24 |
| 24 TO 30 |
| 27 TO 30 |
| 30 TO 36 |
| 33 TO 42 |
| 36 TO 42 |
| 42 TO 48 |
| 48 TO 54 |
| 48 TO 60 |
| 54 TO 60 |
| 60 TO 66 |
| 66 TO 72 |
| 66 TO 78 |
| 72 TO 78 |
| 78 TO 84 |

Increaser is shown in elevation and plan. Reducer is same except tongue is at small end and groove is at large end.

Steel reinforcing and concrete is to be in accordance with ASTM specifications as required for adjoining pipe sections. Increasers and reducers available in tongue and groove or bell and spigot joint. If bell and spigot, wall thickness may be increased.

Copyright © 1999 The Cretex Companies, Inc.  
All rights reserved. Information on this document is subject to change without notice.



**IOWA CONCRETE PRODUCTS CO.**

WEST DES MOINES, IOWA

REINFORCED CONCRETE PIPE  
INCREASER/REDUCER DESIGN DATA

SCALE NOT TO SCALE | DATE JAN. 1, 1999 | DWG. NO. ICP/CRCPINCREASER