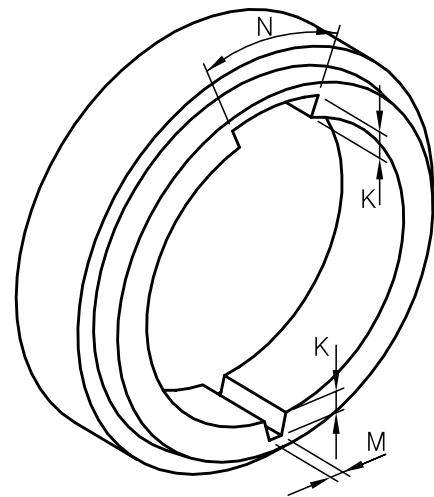
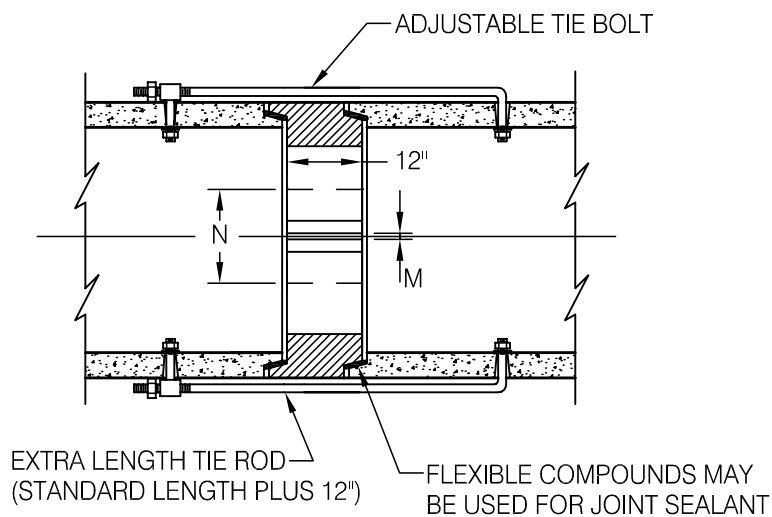
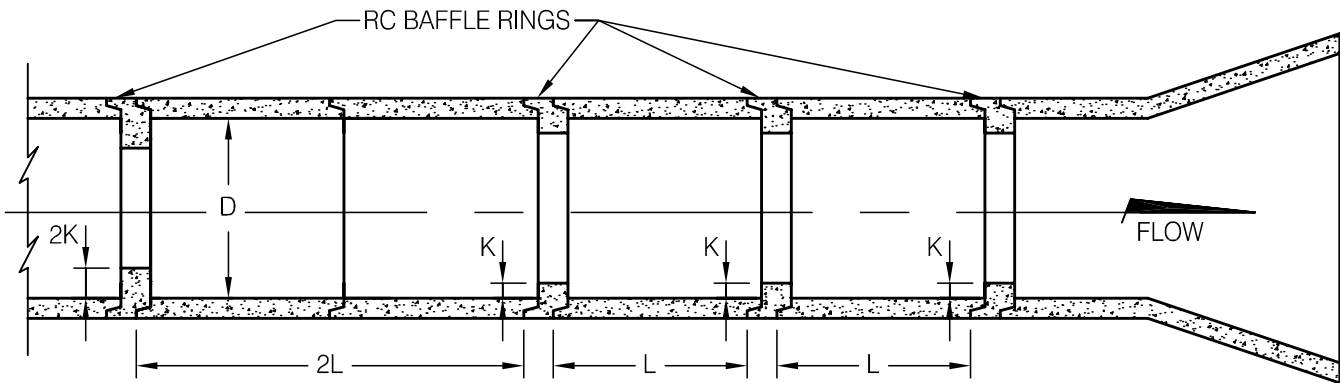


REINFORCED CONCRETE PIPE ENERGY DISSIPATER BAFFLE SECTIONS



CULVERT DIA D	K	L	M (MINIMUM)	N (MINIMUM)
INCHES	INCHES	FEET	INCHES	INCHES
24	1 1/2	4	1	7
30	3	4	1	9
36	3	4	1	10
42	3	4	2	12
48	3	6	2	14
54	6	6	2	16
60	6	8	3	18
66	6	8	3	20
72	6	8	3	22
78	6	10	3	24

Notes:

Baffle rings conform to the material strength and requirements of the pipe line and are usually specified in sets of four.

Copyright © 1999 The Cretex Companies, Inc.
All rights reserved. Information on this document is subject to change without notice.



IOWA CONCRETE PRODUCTS CO.

WEST DES MOINES, IOWA

REINFORCED CONCRETE PIPE
ENERGY DISSIPATER BAFFLE SECTIONS

SCALE NOT TO SCALE DATE JAN. 1, 1999 DWG. NO. ICP/CRCP/SDISS