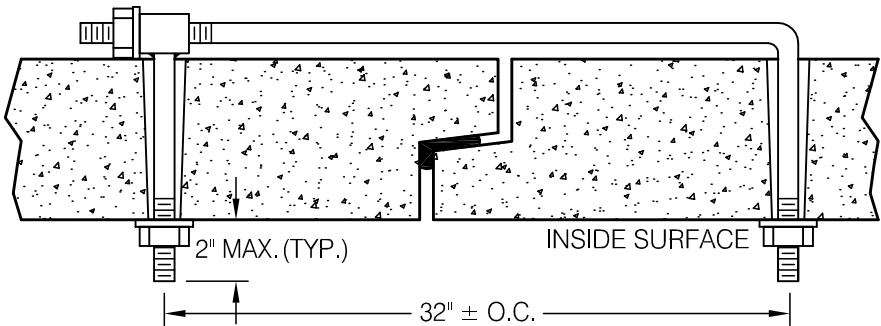
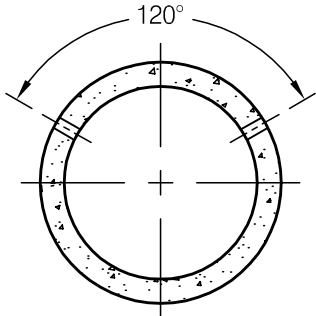


NON-GASKETED PIPE JOINT TIES



EYE BOLT TIE



**TYPICAL
APPLICATION**

Copyright © 1999 The Cretex Companies, Inc.
All rights reserved. Information on this document is
subject to change without notice.



IOWA CONCRETE PRODUCTS CO.

WEST DES MOINES, IOWA

NON-GASKETED PIPE
JOINT TIES

SCALE NOT TO SCALE | DATE JAN. 1, 1999 | DWG. NO. ICPCHWYTBOLT