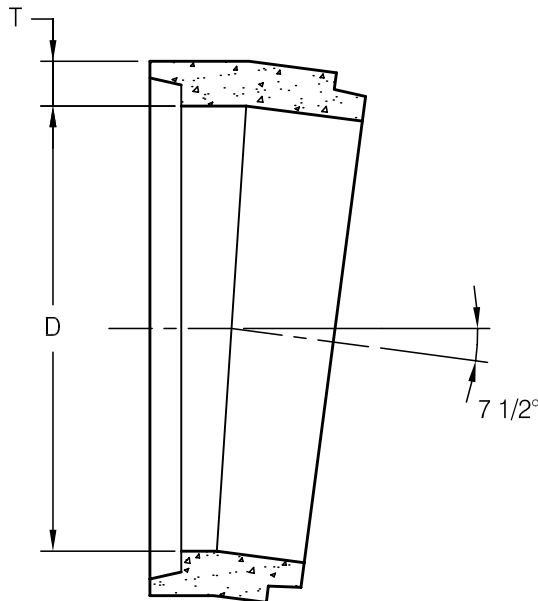


NON-GASKETED PIPE SHORT RADIUS BEND DETAILS



D	T	LAYING LENGTH ON CENTER OF PIPE	RADIUS OF CURVE AT CENTER OF PIPE	WEIGHT PER SECTION
INCHES	INCHES	INCHES	FEET	LBS.
12	2	7 3/4	4.9	70
15	2 1/4	11 1/4	7.2	120
18	2 1/2	12 1/8	7.7	170
21	2 3/4	9 1/2	6.1	170
24	3	9 13/16	6.2	215
27	3 1/4	9 11/16	6.2	260
30	3 1/2	10	6.4	320
33	3 3/4	11 3/16	7.1	420
36	4	12 3/16	7.7	530
42	4 1/2	14 1/16	8.9	800
48	5	16 7/16	10.5	1190
54	5 1/2	18 1/16	11.5	1600
60	6	20 1/2	13.0	2210
66	6 1/2	21 5/8	13.8	2790
72	7	22 5/8	14.4	3420

Notes:

Bend reinforcing and concrete shall be the same as required for adjoining pipe sections.

Copyright © 1999 The Cretex Companies, Inc.
All rights reserved. Information on this document is subject to change without notice.



IOWA CONCRETE PRODUCTS CO.

WEST DES MOINES, IOWA

NON-GASKETED PIPE
SHORT RADIUS BEND DETAILS

SCALE NOT TO SCALE DATE JAN. 1, 1999 DWG. NO. ICPCHWYSRBEND