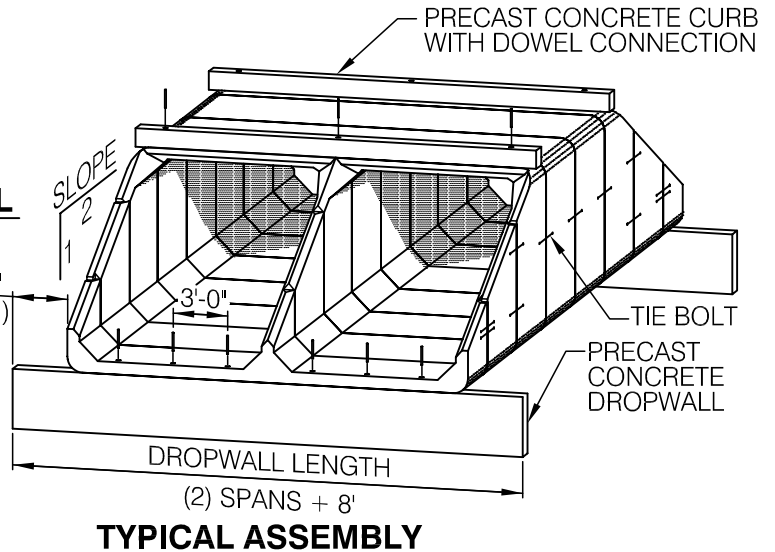
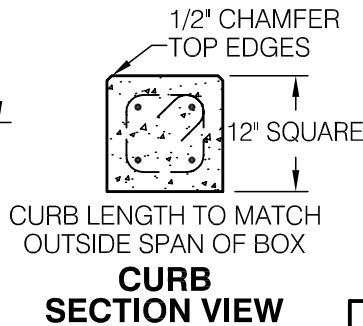
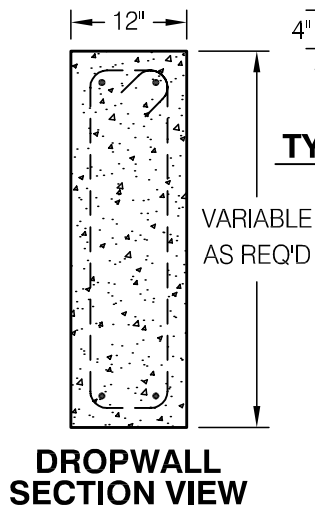
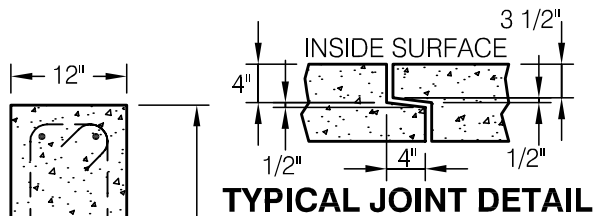
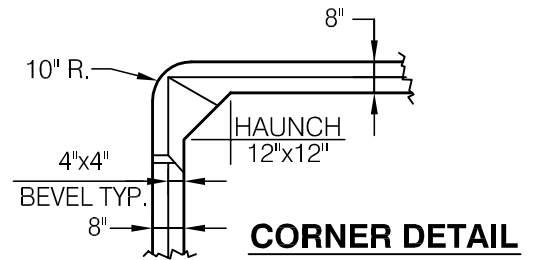
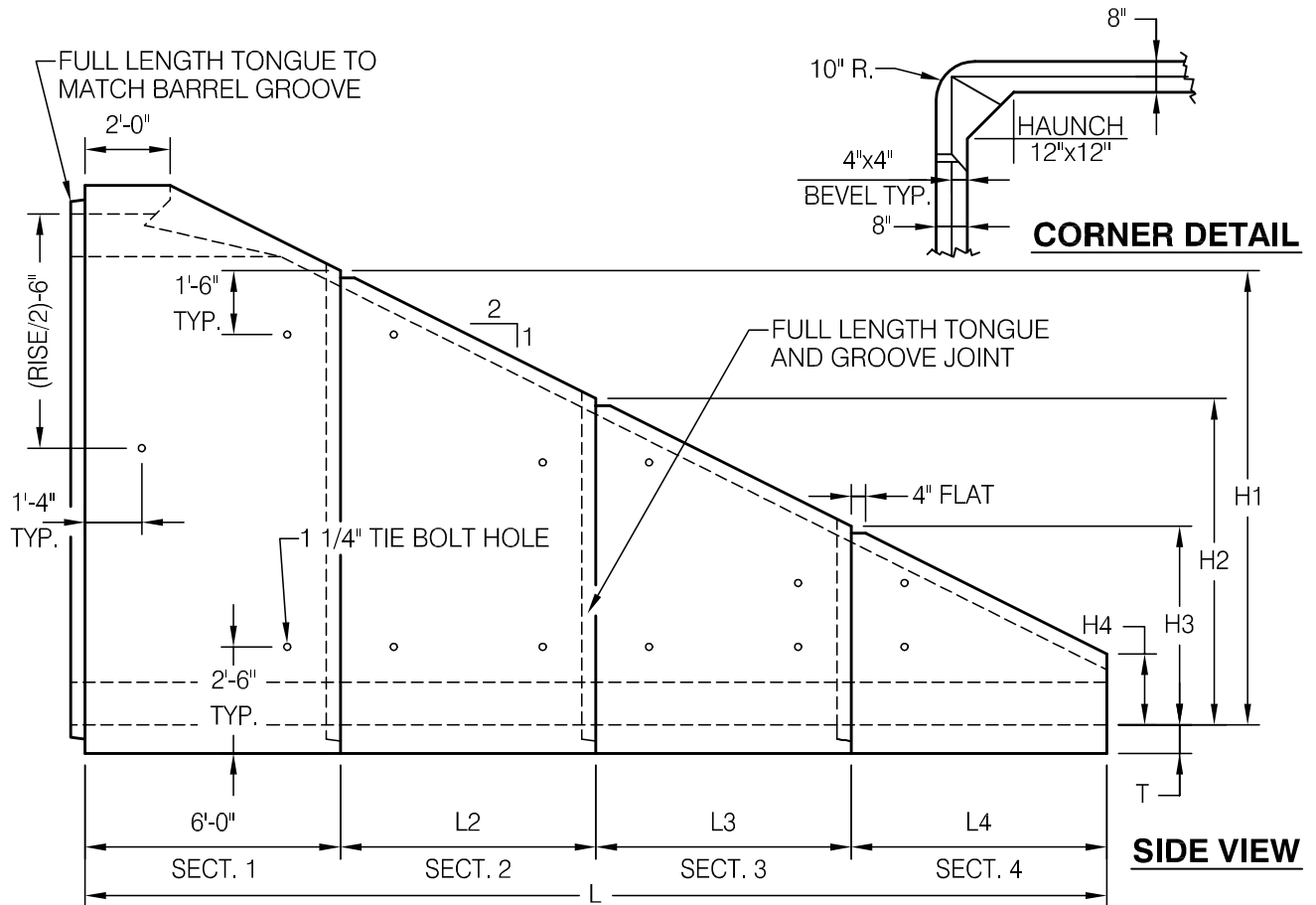


7'-12' SPAN DOUBLE CELL BOX CULVERT SLOPED END SECTION DESIGN DETAILS



NOTE: DOWEL CONNECTIONS USE REBAR THROUGH 3/4" CAST HOLES. FIELD GROUT BY CONTRACTOR.

Copyright © 1999 The Cretex Companies, Inc.
All rights reserved. Information on this document is subject to change without notice.



IOWA CONCRETE PRODUCTS CO.

WEST DES MOINES, IOWA

7'-12' SPAN DOUBLE CELL BOX CULVERT
SLOPED END SECTION DESIGN DETAILS

SCALE NOT TO SCALE DATE JAN. 1, 1999 DWG. NO. ICPDCWSEDE

7'-12' SPAN DOUBLE CELL BOX CULVERT SLOPED END SECTION WEIGHT CHART

SPAN x RISE FEET	T	L	L2	L3	L4	H1	H2	H3	H4	WEIGHT (LBS)			
										SECT.1	SECT.2	SECT.3	SECT.4
7 x 3	8"	6'-0"	-	-	-	1'-8"	-	-	-	19900	-	-	-
7 x 4	8"	6'-0"	-	-	-	2'-8"	-	-	-	21500	-	-	-
7 x 5	8"	10'-0"	4'-0"	-	-	3'-8"	1'-8"	-	-	23300	10500	-	-
7 x 6	8"	12'-0"	6'-0"	-	-	4'-8"	1'-8"	-	-	25100	16600	-	-
7 x 7	8"	14'-0"	4'-0"	4'-0"	-	5'-8"	3'-8"	1'-8"	-	26900	12900	10500	-
8 x 4	8"	6'-0"	-	-	-	2'-8"	-	-	-	23100	-	-	-
8 x 5	8"	10'-0"	4'-0"	-	-	3'-8"	1'-8"	-	-	24900	11300	-	-
8 x 6	8"	12'-0"	6'-0"	-	-	4'-8"	1'-8"	-	-	26700	17800	-	-
8 x 7	8"	14'-0"	4'-0"	4'-0"	-	5'-8"	3'-8"	1'-8"	-	28500	13700	11300	-
8 x 8	8"	16'-0"	6'-0"	4'-0"	-	6'-8"	3'-8"	1'-8"	-	30300	21400	11300	-
9 x 4	8"	6'-0"	-	-	-	2'-8"	-	-	-	24700	-	-	-
9 x 5	8"	10'-0"	4'-0"	-	-	3'-8"	1'-8"	-	-	26500	12100	-	-
9 x 6	8"	12'-0"	6'-0"	-	-	4'-8"	1'-8"	-	-	28300	19000	-	-
9 x 7	8"	14'-0"	4'-0"	4'-0"	-	5'-8"	3'-8"	1'-8"	-	30100	14500	12100	-
9 x 8	8"	16'-0"	6'-0"	4'-0"	-	6'-8"	3'-8"	1'-8"	-	31900	22600	12100	-
9 x 9	8"	18'-0"	6'-0"	6'-0"	-	7'-8"	4'-8"	1'-8"	-	33700	24400	19100	-
10 x 4	8"	6'-0"	-	-	-	2'-8"	-	-	-	26300	-	-	-
10 x 5	8"	10'-0"	4'-0"	-	-	3'-8"	1'-8"	-	-	28100	12900	-	-
10 x 6	8"	12'-0"	6'-0"	-	-	4'-8"	1'-8"	-	-	29900	20200	-	-
10 x 7	8"	14'-0"	4'-0"	4'-0"	-	5'-8"	3'-8"	1'-8"	-	31700	15300	12900	-
10 x 8	8"	16'-0"	6'-0"	4'-0"	-	6'-8"	3'-8"	1'-8"	-	33500	23800	12900	-
10 x 9	8"	18'-0"	6'-0"	6'-0"	-	7'-8"	4'-8"	1'-8"	-	35300	25600	20200	-
10 x 10	8"	20'-0"	6'-0"	4'-0"	4'-0"	8'-8"	5'-8"	3'-8"	1'-8"	37100	27400	15300	12900
11 x 4	9"	6'-0"	-	-	-	2'-8"	-	-	-	29800	-	-	-
11 x 5	9"	10'-0"	4'-0"	-	-	3'-8"	1'-8"	-	-	31600	14900	-	-
11 x 6	9"	12'-0"	6'-0"	-	-	4'-8"	1'-8"	-	-	33400	23200	-	-
11 x 7	9"	14'-0"	4'-0"	4'-0"	-	5'-8"	3'-8"	1'-8"	-	35200	17300	14900	-
11 x 8	9"	16'-0"	6'-0"	4'-0"	-	6'-8"	3'-8"	1'-8"	-	37000	26800	14900	-
11 x 9	9"	18'-0"	6'-0"	6'-0"	-	7'-8"	4'-8"	1'-8"	-	38800	28600	23200	-
11 x 10	9"	20'-0"	6'-0"	4'-0"	4'-0"	8'-8"	5'-8"	3'-8"	1'-8"	40600	30400	17300	14900
11 x 11	9"	22'-0"	6'-0"	6'-0"	4'-0"	9'-8"	6'-8"	3'-8"	1'-8"	42400	32200	26800	14900
12 x 4	9"	6'-0"	-	-	-	2'-8"	-	-	-	31500	-	-	-
12 x 5	9"	10'-0"	4'-0"	-	-	3'-8"	1'-8"	-	-	33300	15800	-	-
12 x 6	9"	12'-0"	6'-0"	-	-	4'-8"	1'-8"	-	-	35100	24600	-	-
12 x 7	9"	14'-0"	4'-0"	4'-0"	-	5'-8"	3'-8"	1'-8"	-	36900	18200	15800	-
12 x 8	9"	16'-0"	6'-0"	4'-0"	-	6'-8"	3'-8"	1'-8"	-	38700	28200	15800	-
12 x 9	9"	18'-0"	6'-0"	6'-0"	-	7'-8"	4'-8"	1'-8"	-	40500	30000	24600	-
12 x 10	9"	20'-0"	6'-0"	4'-0"	4'-0"	8'-8"	5'-8"	3'-8"	1'-8"	42300	31800	18200	15800
12 x 11	9"	22'-0"	6'-0"	6'-0"	4'-0"	9'-8"	6'-8"	3'-8"	1'-8"	44100	33600	28200	15800
12 x 12	9"	24'-0"	6'-0"	6'-0"	6'-0"	10'-8"	7'-8"	4'-8"	1'-8"	45900	35400	30000	24600

Copyright © 1999 The Cretex Companies, Inc.
All rights reserved. Information on this document is
subject to change without notice.



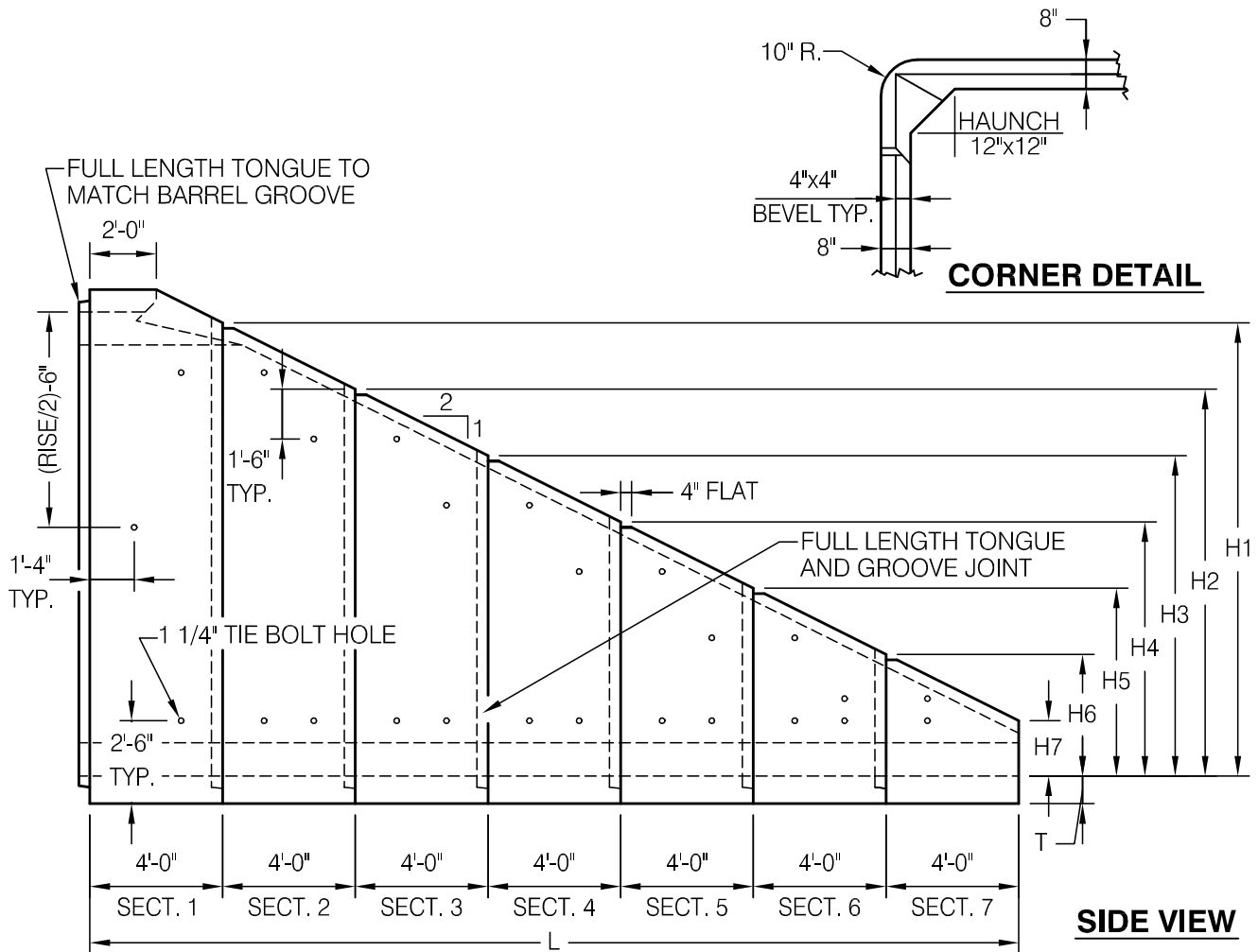
IOWA CONCRETE PRODUCTS CO.

WEST DES MOINES, IOWA

7'-12' SPAN DOUBLE CELL BOX CULVERT
SLOPED END SECTION WEIGHT CHART

SCALE NOT TO SCALE DATE JAN. 1, 1999 DWG. NO. ICPDCWSEWE

14' SPAN DOUBLE CELL BOX CULVERT SLOPED END SECTION DETAILS



SPAN x RISE FEET	T	L	H1	H2	H3	H4	H5	H6	H7	WEIGHT (LBS)						
										SECT.1	SECT.2	SECT.3	SECT.4	SECT.5	SECT.6	SECT.7
14 x 4	10"	4'-0"	3'-8"	-	-	-	-	-	-	27500	-	-	-	-	-	-
14 x 5	10"	8'-0"	4'-8"	2'-8"	-	-	-	-	-	28700	20300	-	-	-	-	-
14 x 6	10"	12'-0"	5'-8"	3'-8"	1'-8"	-	-	-	-	29900	21500	19100	-	-	-	-
14 x 7	10"	12'-0"	6'-8"	4'-8"	2'-8"	-	-	-	-	31100	22700	20300	-	-	-	-
14 x 8	10"	16'-0"	7'-8"	5'-8"	3'-8"	1'-8"	-	-	-	32300	23900	21500	19100	-	-	-
14 x 9	10"	16'-0"	8'-8"	6'-8"	4'-8"	2'-8"	-	-	-	33500	25100	22700	20300	-	-	-
14 x 10	10"	20'-0"	9'-8"	7'-8"	5'-8"	3'-8"	1'-8"	-	-	34700	26300	23900	21500	19100	-	-
14 x 11	10"	20'-0"	10'-8"	8'-8"	6'-8"	4'-8"	2'-8"	-	-	35900	27500	25100	22700	20300	-	-
14 x 12	10"	24'-0"	11'-8"	9'-8"	7'-8"	5'-8"	3'-8"	1'-8"	-	37100	28700	26300	23900	21500	19100	-
14 x 13	10"	24'-0"	12'-8"	10'-8"	8'-8"	6'-8"	4'-8"	2'-8"	-	38300	29900	27500	25100	22700	20300	-
14 x 14	10"	28'-0"	13'-8"	11'-8"	9'-8"	7'-8"	5'-8"	3'-8"	1'-8"	39500	31100	28700	26300	23900	21500	19100

Copyright © 1999 The Cretex Companies, Inc.
All rights reserved. Information on this document is
subject to change without notice.



IOWA CONCRETE PRODUCTS CO.

WEST DES MOINES, IOWA

14' SPAN DOUBLE CELL BOX CULVERT
SLOPED END SECTION DETAILS

SCALE NOT TO SCALE DATE JAN. 1, 1999 DWG. NO. ICPC14DCWSEDE