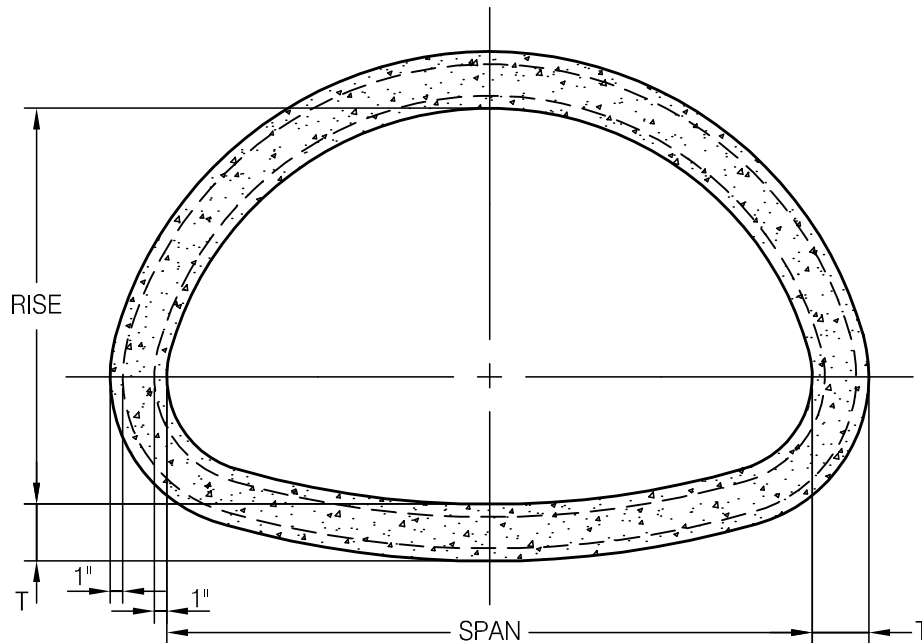


CONCRETE ARCH PIPE DESIGN



TYPICAL CROSS SECTION

EQUIVALENT SIZE	RISE	SPAN	WATER AREA	WALL T	WT./FT.
INCHES	INCHES	INCHES	SQ. FT.	INCHES	LBS.
18	13 1/2	22	1.6	2 1/2	170
24	18	28 1/2	2.8	3 1/2	315
30	22 1/2	36 1/4	4.4	4	445
36	26 5/8	43 3/4	6.4	4 1/2	600
42	31 5/16	51 1/8	8.8	4 1/2	690
48	36	58 1/2	11.4	5	875
54	40	65	14.3	5 1/2	1065
60	45	73	17.7	6	1305
72	54	88	25.6	7	1830
84	62	102	34.6	8	2415
96	77 1/2	122	51.7	9	3510
108	87 1/8	138	66.0	10	4400
120	96 7/8	154	81.8	11	5400
132	106 1/2	168 3/4	99.1	10	5390

Arch pipe is manufactured with a tongue and groove joint to standard or special strengths in accordance with ASTM Specifications C506. Flexible compounds may be used for joint sealant.

Copyright © 1999 The Cretex Companies, Inc.
All rights reserved. Information on this document is
subject to change without notice.



IOWA CONCRETE PRODUCTS CO.

WEST DES MOINES, IOWA

**CONCRETE ARCH PIPE
DESIGN**

SCALE NOT TO SCALE DATE JAN. 1, 1999 DWG. NO. ICPCARCHDESIGN